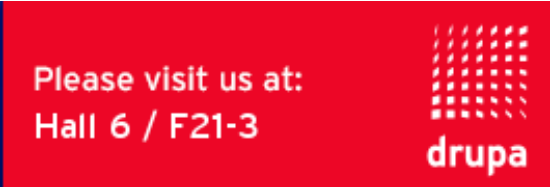


ON THE HORIZON!

FRIDAY 4/5/2024

**OFFICIAL HORIZON
INTERNATIONAL NEWSLETTER**



NEW SOLUTION REVEAL

SEE THESE NEW SOLUTIONS AT DRUPA 2024



**ICE BINDER
BQ-300**



HSF-50
HIGH SPEED SHEET FEEDER
FOR ICE STITCHLINER MARK V



**ICE STITCHER
SPF-2000**

SEE [PAGE 6](#) FOR MORE INFORMATION ABOUT EACH SOLUTION.

AT A GLANCE

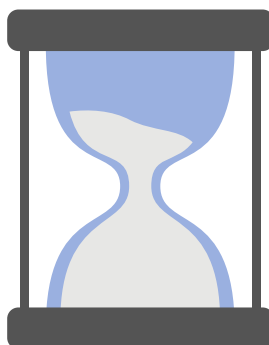
- [COLLABORATIONS PG. 2](#)
- [BOOTH HIGHLIGHTS PG. 3](#)
- [BOOTH TOURS PG. 4](#)
- [BOOTH SECTIONS PG. 5-8](#)
- [OTHER SYSTEMS/TECH PG. 9](#)
- [#HISTORYWITHHORIZON PG. 10](#)
- [MORE FROM HORIZON PG. 11](#)

DISCLAIMER: ALL INFORMATION SUBJECT TO CHANGE LEADING UP TO THE SHOW

ADDITIONAL HIGHLIGHTS

- [BQ-500 Multi-bin Cover Feeder \(Technology Showing\)](#)
- [Flap Cover Making System \(Special Order System\)](#)
- [AI-integrated B2 Cross Folder](#)

DRUPA COUNTDOWN



53

DAYS UNTIL DRUPA

COLLABORATIONS

ON THE HORIZON!



- **CANON - HALL 8A**
 - INLINE BQ-500 AND HT-300
- **FUJIFILM - HALL 8B**
 - SMARTSTACKER TO ROBOT-ARM SMART BINDING SYSTEM
 - INLINE CUT SHEET PRESS WITH SMARTSLITTER
 - AF-406
- **KONICA MINOLTA - HALL 8B**
 - PRINTER INLINE ROTARY DIE CUT SYSTEM
- **HP - HALL 17**
 - BQ-500, HT-300, AND PALLETIZING ROBOT
 - HP PRINTOS PRODUCTION PRO DIRECT-TO-FINISH W/ ICE LINK

BOOTH HIGHLIGHTS

ON THE HORIZON!



Photo: Messe Düsseldorf/ctillmann

OUR BOOTH WILL BE DIVIDED INTO FOUR MAIN SECTIONS WITH ADDITIONAL STAND ALONE EQUIPMENT AND MEETING SPACES.

SECTION A SMART BOOK SOLUTIONS

- INLINE CUT SHEET PRESS & ROBOTIC ARM BOOK PRODUCTION SYSTEM
- PLOW FOLD BOOK PRODUCTION SYSTEM (BBS-56)
- CUT AND STACK SMART BINDING SYSTEM

SECTION B WORKFLOW AND NEW SYSTEMS

- ICE BINDER BQ-300
- ICE STITCHER SPF-2000
- ICE STITCHLINER MARK V
- WORKFLOW

SECTION C NEW FOCUSED SYSTEMS

- ROBOTIC ARM POD BOOK SYSTEM
- INLINE CUT SHEET PRESS & PROCESSING SYSTEM
- CASE BIND BOOK BLOCK PRODUCTION SYSTEM

SECTION D NEW CONVENTIONAL SYSTEMS

- B1 FOLDER & PALLETIZING ROBOT
- MINICABS
- ICE STITCHLINER MARK IV

OTHER/STAND ALONE

- RD-N4055DM W/ GST-50RD
- AFV-566FKT
- ICE LINK
- FLAP COVER MAKING SYSTEM
- AF-408
- CRF- 362

BOOTH TOURS

ON THE HORIZON!

4 KINDS OF TOURS WILL BE GIVEN IN OUR BOOTH.
EACH TOUR CORRESPONDS WITH ONE SECTION.
EXAMPLE: TOUR A IS A PRESENTATION ON SECTION A

Tour A	Tour B	Tour C	Tour D
① 10:30			
	② 11:30		
		③ 12:30	
			④ 13:30
⑤ 14:30			
	⑥ 15:30		
		⑦ 16:30	
			⑧ 17:30

EACH TOUR WILL BE PERFORMED TWICE A DAY,
WITH A TOUR BEING HELD EVERY HOUR
FOR A TOTAL OF 8 TOURS EACH DAY.

TOUR PRESENTERS



ADRIENNE CULLEY



COLIN FLINN



BRYAN TAKANO



GUANDI HE

MC



MARCO KOCHBECK

SECTION A

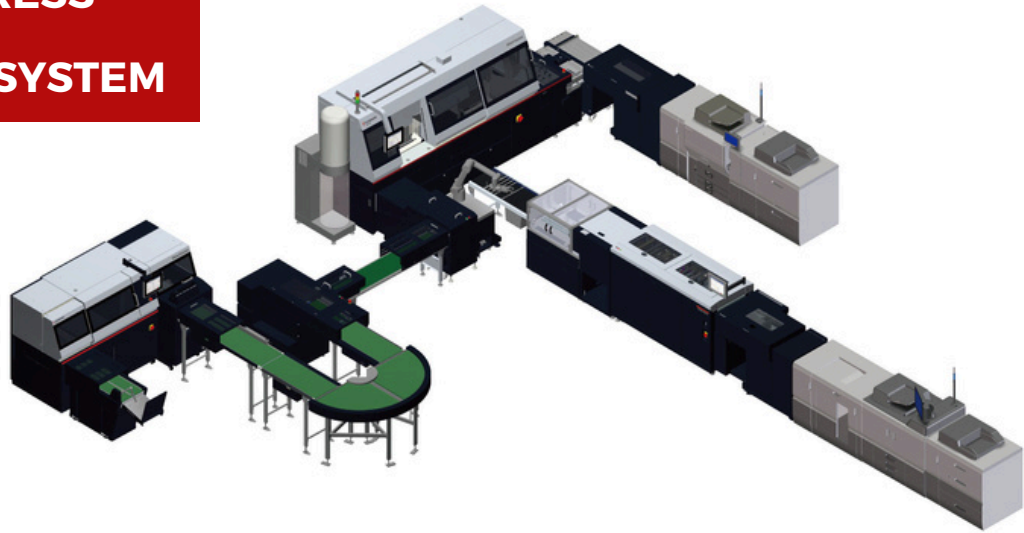
Smart Book Solutions

ON THE HORIZON!

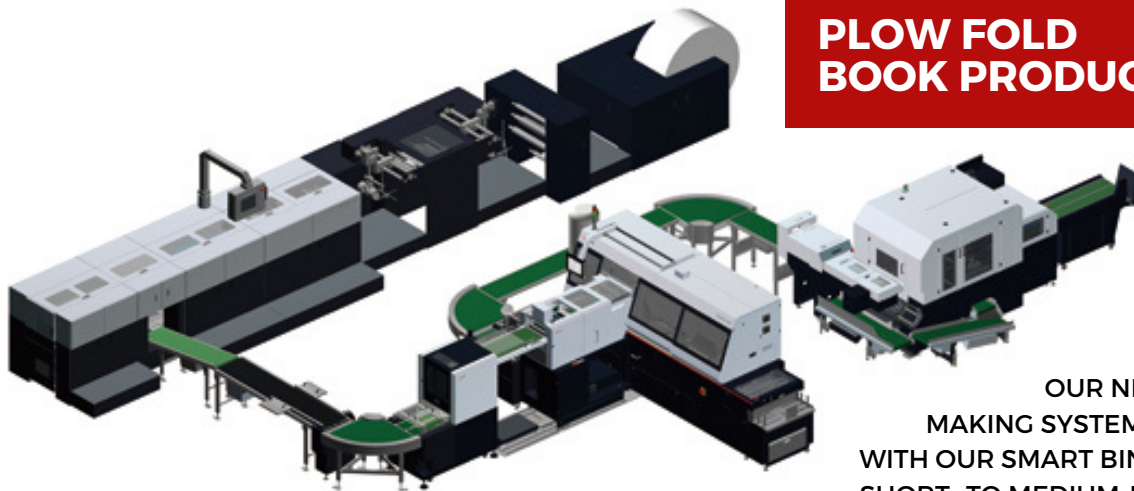
INLINE CUT SHEET PRESS & ROBOTIC ARM BOOK PRODUCTION SYSTEM

THIS SYSTEM FEATURES TWO RICOH PRESSES AND A ROBOTIC ARM INTEGRATED INLINE WITH FINISHING DEVICES TO ACCOMPLISH A4 OR A5 FORMAT BOOK PRODUCTION FROM BLANK A3 SHEETS IN A SINGLE PASS.

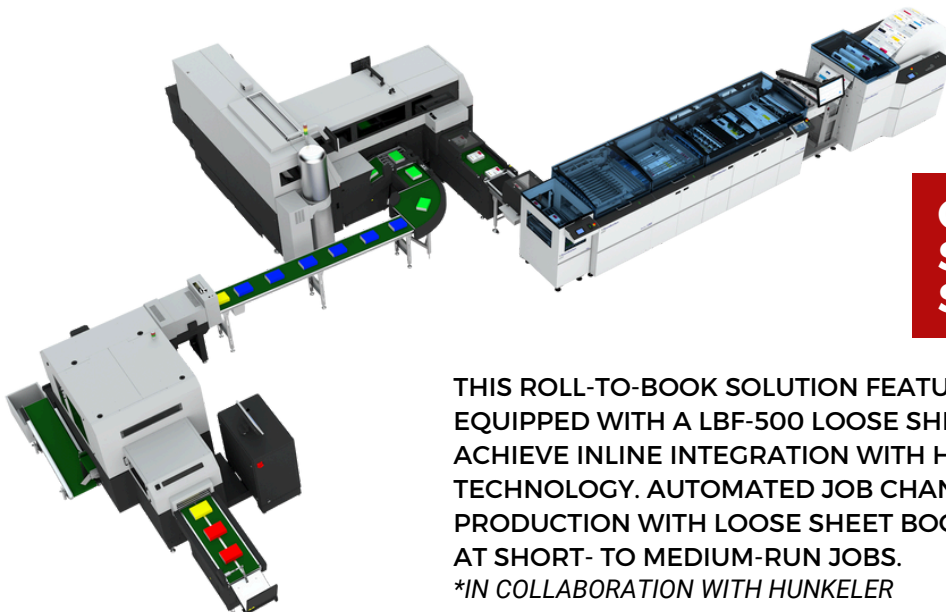
**IN COLLABORATION WITH RICOH*



PLOW FOLD BOOK PRODUCTION SYSTEM



OUR NEW BBS-56 BOOK BLOCK MAKING SYSTEM IS INTEGRATED INLINE WITH OUR SMART BINDING SYSTEM FOR SHORT- TO MEDIUM-RUN BOOK PRODUCTION IN ONE PASS FROM A CONTINUOUS FEED ROLL.



CUT AND STACK SMART BINDING SYSTEM

THIS ROLL-TO-BOOK SOLUTION FEATURES OUR PERFECT BINDER EQUIPPED WITH A LBF-500 LOOSE SHEET BOOK BLOCK FEEDER TO ACHIEVE INLINE INTEGRATION WITH HUNKELER CUT AND STACK TECHNOLOGY. AUTOMATED JOB CHANGEOVERS AND FLEXIBLE BOOK PRODUCTION WITH LOOSE SHEET BOOK BLOCKS HELP USERS EXCEL AT SHORT- TO MEDIUM-RUN JOBS.

**IN COLLABORATION WITH HUNKELER*

SECTION B

New Solutions & Workflow

ON THE HORIZON!

ICE BINDER BQ-300

THE ICE BINDER BQ-300 IS A FULLY-AUTOMATED SINGLE CLAMP PERFECT BINDER DESIGNED FOR EASE-OF-USE, BOOK QUALITY, AND PRODUCTION EFFICIENCY THAT CAN HANDLE VARIABLE THICKNESS PRODUCTION OF UP TO 500 CYCLES PER HOUR.

Highlights

- NEW 15" CONTROL PANEL
- SHORTENED JOB CHANGEOVER TIME
- NEW TEMPLATE FEATURE
- IMPROVED AUTOMATION



THE ICE STITCHER SPF-2000/FC-2000 IS A BOOKLET MAKING SYSTEM FEATURING EASE-OF-USE, SUPERIOR QUALITY, AND NEXT LEVEL AUTOMATION THAT CAN PRODUCE BOOKLETS AT A RATE OF UP TO 4,700 CYCLES/HR.

ICE STITCHER SPF-2000

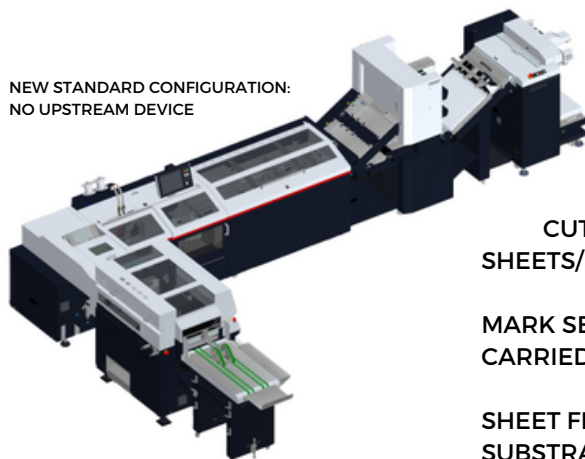
Highlights

- NEW 15" CONTROL PANEL
- SHORTENED JOB CHANGEOVER TIME
- CAPABLE OF A4 LANDSCAPE BOOKLETS
- IMPROVED AUTOMATION

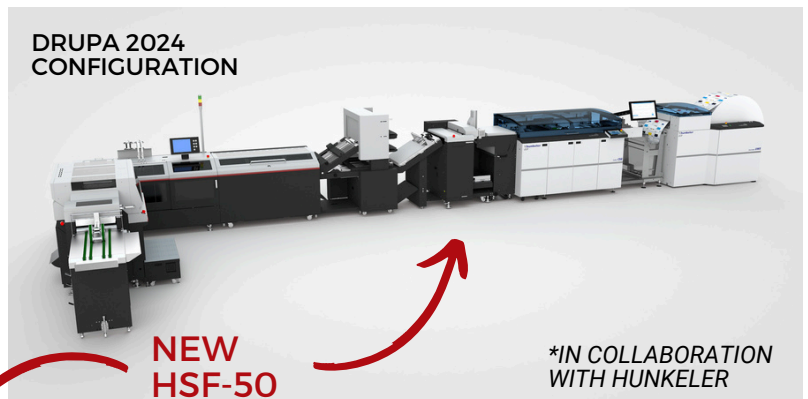
ICE STITCHLINER MARK V WITH HSF-50

THIS ROLL-TO-BOOKLET SADDLESTITCHER IS CAPABLE OF VARIABLE THICKNESS STITCHING WITH NO MAKEREADIES AT SPEEDS OF UP TO 6,000 CYCLES PER HOUR. THE DRUPA SYSTEM FEATURES OUR NEW HSF-50 HIGH SPEED SHEET FEEDER.

NEW STANDARD CONFIGURATION:
NO UPSTREAM DEVICE



DRUPA 2024
CONFIGURATION



NEW
HSF-50

*IN COLLABORATION
WITH HUNKELER

HSF-50 HIGH SPEED SHEET FEEDER

THE NEW HSF-50 SHEET FEEDER ALLOWS THE ICE STITCHLINER MARK V TO SWITCH FROM ROLL-FEEDING MODE TO CUT-SHEET-FEEDING MODE WITH SPEEDS OF UP TO 45,000 SHEETS/HOUR FROM 600 MM PILES.

MARK SENSORS ENABLE VARIABLE SHEET-COUNT PRODUCTION TO BE CARRIED OUT WITH SUPERIOR EFFICIENCY AND FEEDING STABILITY.

SHEET FEEDING AUTOMATION IS TAKEN TO THE NEXT LEVEL WITH SUBSTRATE-DRIVEN FEEDING ADJUSTMENTS NOW CARRIED OUT AUTOMATICALLY.

SECTION C

New Focused Systems

ON THE HORIZON!



ROBOTIC ARM POD BOOK SYSTEM

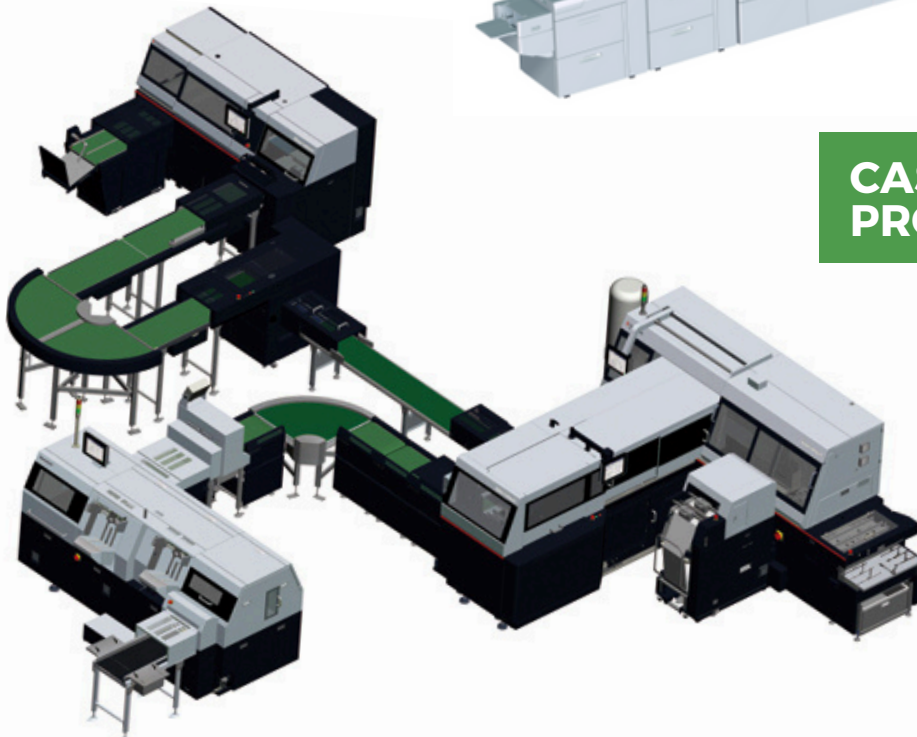
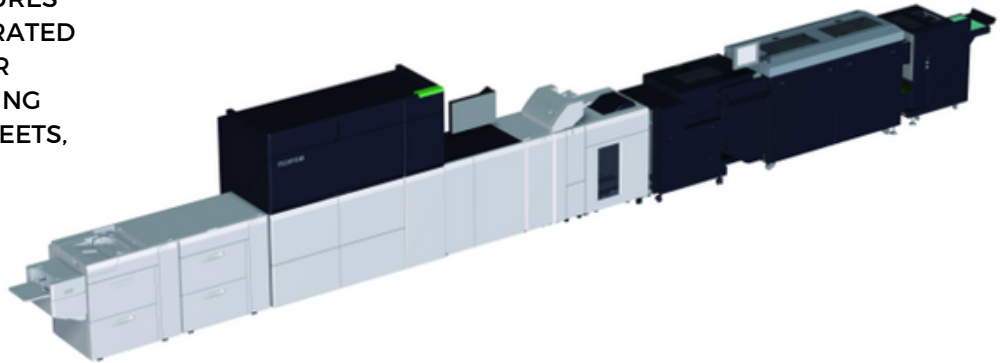
*DRUPA CONFIGURATION DIFFERENT THAN ABOVE IMAGE:
BOOKREADY SYSTEM WILL BE USED INSTEAD OF HOF.

THIS BOOK PRODUCTION SOLUTION FEATURES THE TECNAU/CANON BOOKREADY SYSTEM INTEGRATED WITH OUR ROBOTIC ARM FINISHING SYSTEM TO MAKE END-TO-END POD BOOK PRODUCTION A REALITY. THIS SOLUTION FEATURES OUR NEW BQ-300 AND WILL PRODUCE FLAP COVER APPLICATIONS DURING DRUPA.
**IN COLLABORATION WITH CANON & TECNAU*

INLINE CUT SHEET PRESS & CUT SHEET PROCESSING

THIS PRINT-TO-FINISH SYSTEM FEATURES A FUJIFILM CUT SHEET PRESS INTEGRATED INLINE WITH OUR SMARTSLITTER FOR HANDS-OFF PRODUCTION OF GREETING CARDS, BUSINESS CARDS, COVER SHEETS, AND MORE IN A SINGLE PASS.

**IN COLLABORATION WITH FUJIFILM*



CASE BIND BOOK BLOCK PRODUCTION SYSTEM

HYBRID SYSTEM FOR SHORT-TO MEDIUM-RUN PRODUCTION OF BOTH SOFTCOVER BOOKS AND HARDCOVER BOOK BLOCKS WITH OUR ENDSHEET AND GAUZE APPLICATORS.

SECTION D

New Conventional Systems

ON THE HORIZON!

B1 FOLDER & PALLETIZING ROBOT

THIS SHEET-TO-SIGNATURE SOLUTION FEATURES A ROBOTIC ARM TO AUTOMATICALLY PALLETIZE STACKED SIGNATURES AND AN AGV FOR A MORE STREAMLINED OFFSET PRINT WORKFLOW.

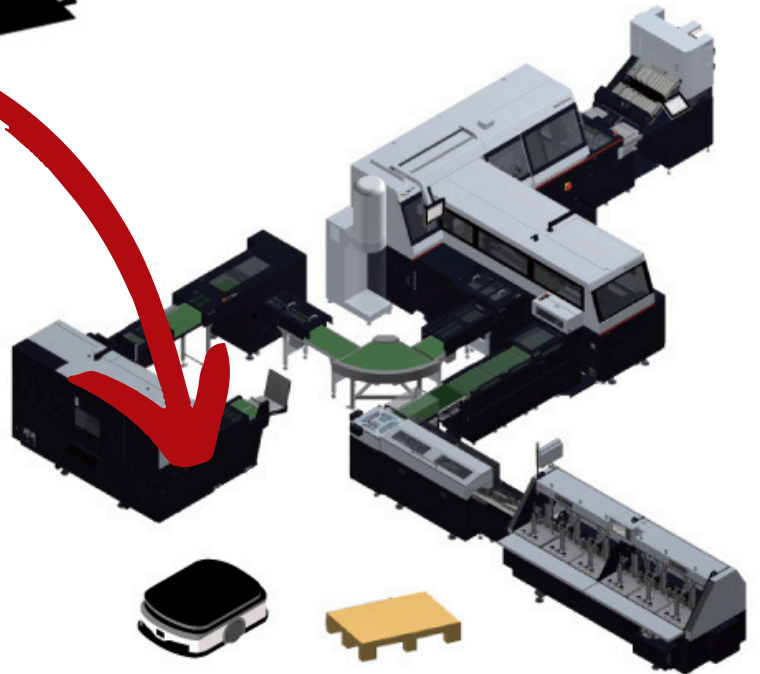


*SIGNATURE TRANSPORT VIA AGV

MINICABS

INLINE BOOK PRODUCTION SYSTEM FOR SHORT- TO MEDIUM-RUN JOBS COMPATIBLE WITH BOTH DIGITAL AND OFFSET PRINTING WORKFLOWS. PALLETIZED SIGNATURES WILL BE TRANSPORTED FROM B1 FOLDER VIA AGV.

*DRUPA MINICABS SYSTEM BQ-500 WILL FEATURE A MULTI-BIN COVER FEEDER (TECHNOLOGY SHOWING)



ICE STITCHLINER MARK IV

SHEET-TO-BOOKLET SADDLESTITCHER COMBINING THE EFFICIENCY OF FLAT SHEET COLLATING WITH THE PRODUCTIVITY, VERSATILITY, AND QUALITY OF OUR BOOKLET MAKING TECHNOLOGY. DRUPA CONFIGURATION FEATURES INLINE INTEGRATION WITH PALAMIDES STACKING TECHNOLOGY FOR A MORE STREAMLINED PRODUCTION WORKFLOW.

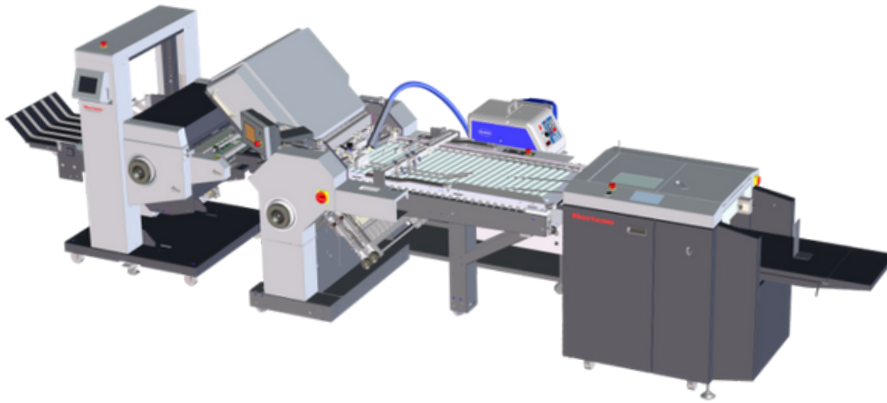
*IN COLLABORATION WITH PALAMIDES



OTHER SYSTEMS & TECH

RD-N4055 & GST-50RD

THIS HIGHLY EFFICIENT SYSTEM STREAMLINES CUTTING, WASTE SEPARATION, AND STACKING IN A SINGLE PASS WHILE MAINTAINING HIGH SPEED PRODUCTION OF UP TO 6,000 CYCLES PER HOUR. NEW GATHERING STACKER UNIT GST-50RD GATHERS MULTIPLE STACKS TOGETHER AND DELIVERS THEM IN A SINGLE PILE FOR CONVENIENT HANDLING.



FLAP COVER MAKING SYSTEM

THIS SYSTEM EFFICIENTLY CREATES FLAP COVERS THAT CAN BE USED WITH HORIZON PERFECT BINDERS. WHILE IT IS THE FIRST TIME BEING SHOWN, IT'S MADE UP OF RELEASED PRODUCTS AND CAN BE ORDERED ANYTIME AS A CUSTOM SOLUTION.

*SOLUTION CONSISTS OF CRA-36, T-564, PST-44, AND GLUING DEVICE

SMART FACTORY TECH AGV AND ROBOTIC ARMS IN BOOTH



BASIC INFORMATION

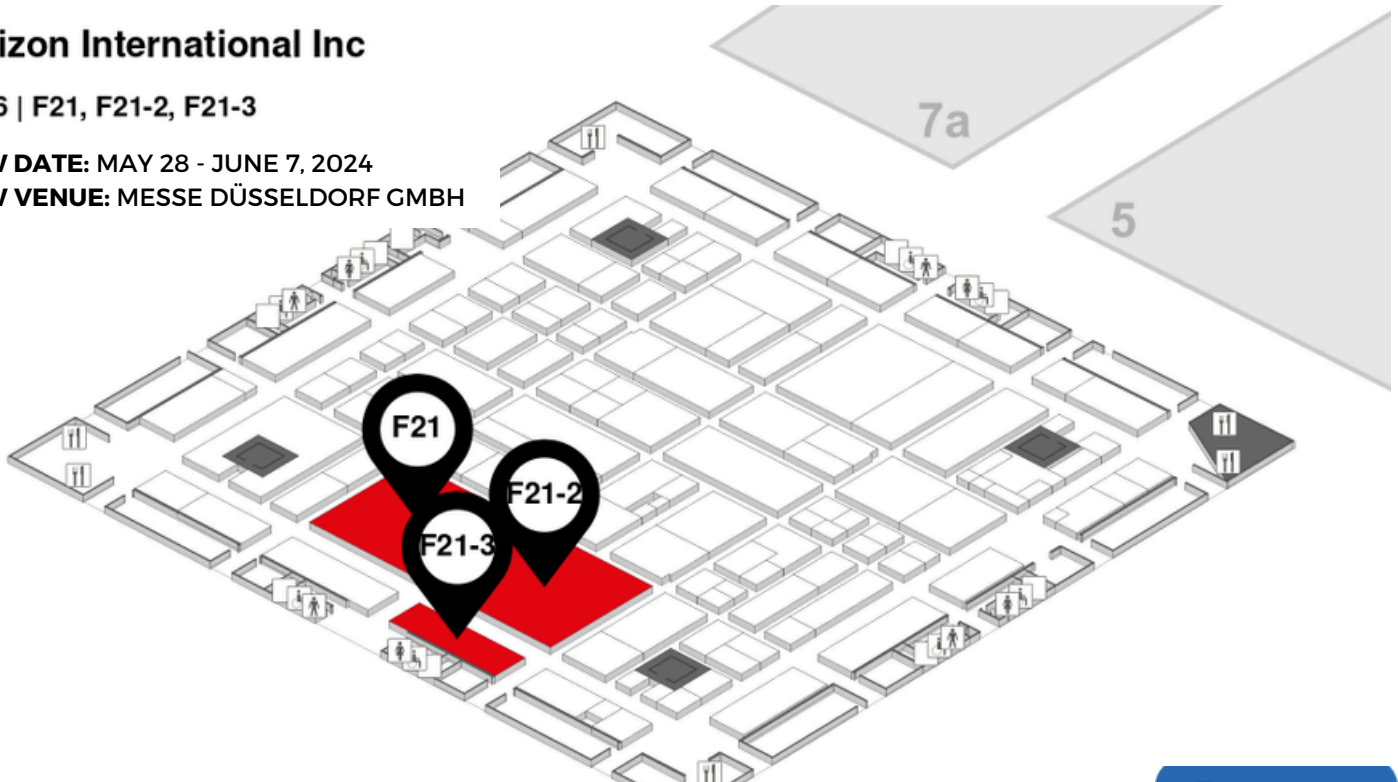
ON THE HORIZON!

Horizon International Inc

Hall 6 | F21, F21-2, F21-3

SHOW DATE: MAY 28 - JUNE 7, 2024

SHOW VENUE: MESSE DÜSSELDORF GMBH



WE WANT TO HEAR YOUR STORY!

A CAREER HIGHLIGHT OR A SINGLE GOOD MEMORY, WE WANT TO HEAR IT ALL.

- WHAT MACHINES DO YOU LOVE?
- IS THERE SOMEONE OR A PARTNER THAT YOU LOVE WORKING WITH?
- AN AMAZING EVENT EXPERIENCE?
- AN INSTALLATION THAT YOU REMEMBER WELL?

JUST POST YOUR #HISTORYWITHHORIZON STORY ON LINKEDIN, AND ENCOURAGE USER PARTICIPATION!

ENTRY PERIOD: NOW - MAY 3, 2024

#HISTORYWITHHORIZON RULES:

- MUST USE #HISTORYWITHHORIZON HASHTAG (NOT CASE-SENSITIVE).
- MUST BE FOLLOWING [HORIZON INTERNATIONAL ON LINKEDIN](#)
- MUST TAG HORIZON INTERNATIONAL IN YOUR POST
- 1 ENTRY AWARDED FOR POSTING YOUR STORY.
- 1 ENTRY AWARDED FOR INCLUDING A PHOTO OR VIDEO.
- 1 ENTRY AWARDED FOR CHALLENGING SOMEONE ELSE.



All participants can win prizes!



Listen for Eijiro Hori's story and more info

MORE FROM HORIZON

ON THE HORIZON!



WEBSITE



INSTAGRAM



FACEBOOK



LINKEDIN



YOUTUBE



DOUYIN
(CHINESE TIKTOK)



PODCAST